



ANSI B18.2.2 Flange Nuts

Leader-Fastener is a manufacturer and distributor of **ANSI B18.2.2 Flange Nuts**. We have a complete line of service from having invested in production plants, export department and to having a quality control team and center to meet your requirements. We regard quality as the life of the company. We persist in good quality as the first policy and have established a set of quality control and inspection system according to the international standard. We have carried out ISO9001 Quality Guarantee System in every course of production, transportation and selling. We do hope we could be your partner in business

by topping quality, knight service and competitive price in the near future and be your friends as well.

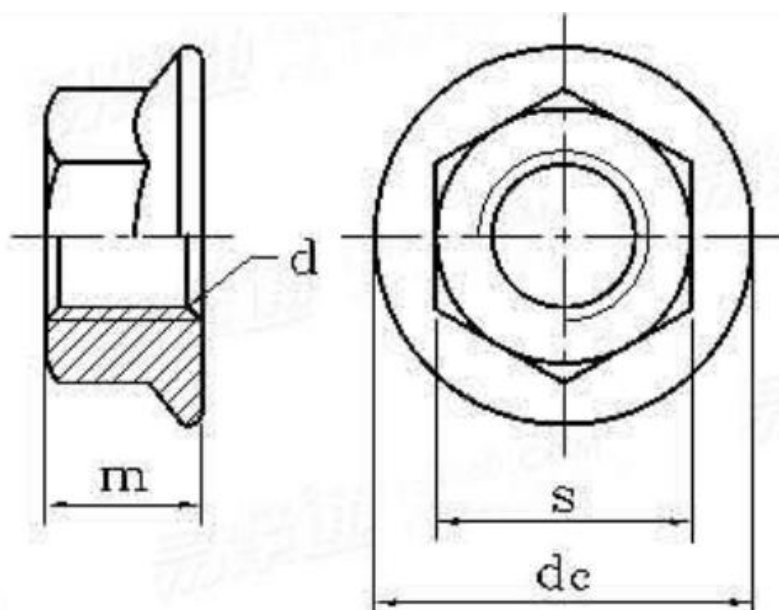
ANSI B18.2.2 Flange Nuts, Non-Locking Flange Nuts are hex nut with an enlarged circular base (or flange) flaring out from the bottom of the nut, which acts as an integrated, non-spinning washer. Since the tightening torque is distributed over a larger area, there is less chance of deformation.

Product Specification of ANSI B18.2.2 Flange Nuts

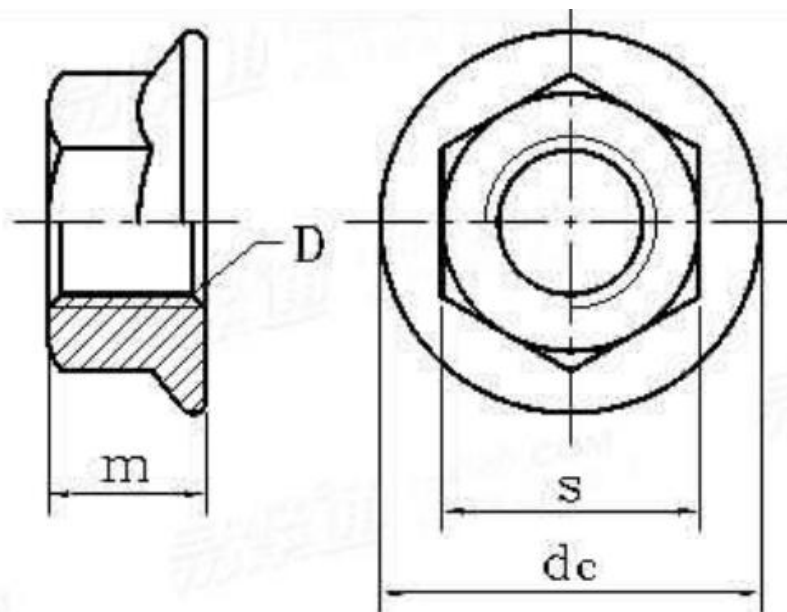
Material : Carbon steel, Stainless steel, Alloy Steel, Brass.

Finishment: Black, Zinc Plated, Zinc Yellow, HDG, Phosphate, DACROMET, Geomet, Magin, Ruspert, Teflon, etc.

ANSI/ASME B 18.2.2 - 2010 Hex Flange Nuts [Table 12]



d	s		d _c		m	
	max	min	max	min	max	min
#6	0.312	0.302	0.422	0.406	0.171	0.156
#8	0.344	0.334	0.469	0.452	0.203	0.187
#10	0.375	0.365	0.500	0.480	0.219	0.203
#12	0.438	0.428	0.594	0.574	0.236	0.222
1/4	0.438	0.428	0.594	0.574	0.236	0.222
5/16	0.500	0.489	0.680	0.660	0.283	0.268
3/8	0.562	0.551	0.750	0.728	0.347	0.330
7/16	0.688	0.675	0.937	0.910	0.395	0.375
1/2	0.750	0.736	1.031	1.000	0.458	0.437
9/16	0.875	0.861	1.188	1.155	0.506	0.483
5/8	0.938	0.922	1.281	1.248	0.569	0.545
3/4	1.125	1.088	1.500	1.460	0.675	0.627

ANSI/ASME B 18.2.2 - 2010 Large Hex Flange Nuts [Table 12]


d	s		d _c		m	
	max	min	max	min	max	min
1/4	0.438	0.428	0.728	0.700	0.312	0.281
5/16	0.500	0.489	0.820	0.790	0.375	0.343
3/8	0.562	0.551	0.915	0.885	0.406	0.390

7/16	0.688	0.675	1.131	1.100	0.468	0.437
1/2	0.750	0.736	1.205	1.175	0.515	0.485
9/16	0.875	0.861	1.300	1.260	0.578	0.546
5/8	0.938	0.922	1.360	1.280	0.640	0.600