



### **DIN 562 Square Nut**

Leader Fastener is acknowledged as a manufacturer, exporter & suppliers of **DIN 562 Square Nut** For High Strength Struc. We have a complete line of service from having invested in production plants, export department and to having a quality control team and center to meet your requirements. We regard quality as the life of the company. We persist in good quality as the first policy and have established a set of quality control and inspection system according to the international standard. We have carried out ISO9001 Quality Guarantee System in every course of production, transportation and selling. We

do hope we could be your partner in business by topping quality, knight service and competitive price in the near future and be your friends as well.

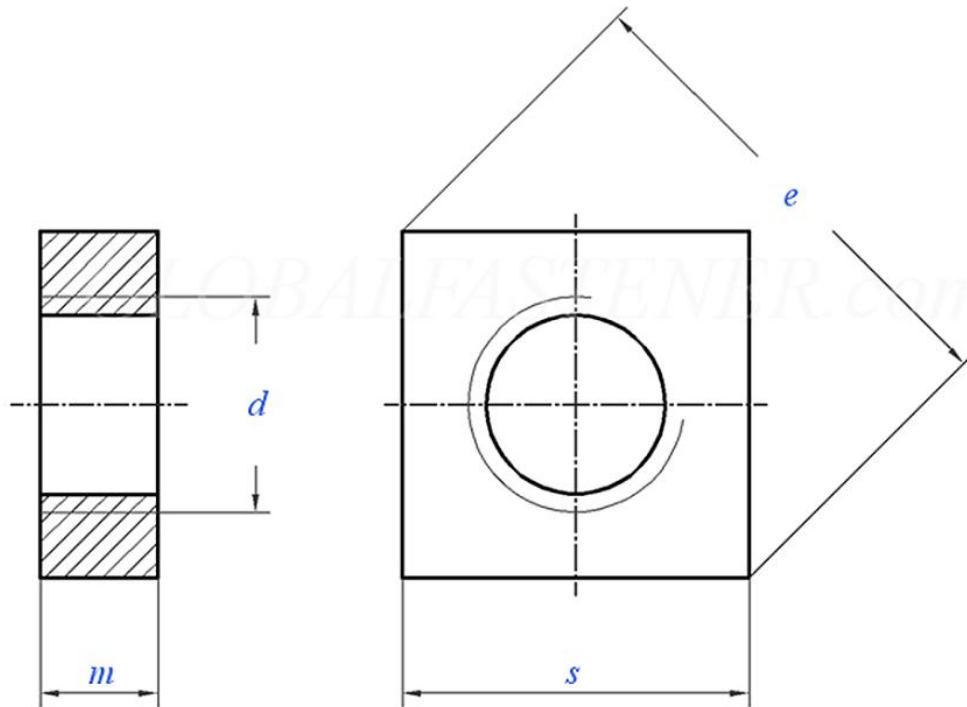
Metric **DIN 562 thin pattern square nut** are four sided nuts. They are thinner than their DIN 557 counterparts. Similarly, their geometry provides a greater surface area to apply higher torque when tightening and also a greater surface are in contact with the part being fastened, thereby increasing the resistance to loosening. Being thinner provides the advantage of being able to fit into tighter spaces.

DIN (Deutsches Institut für Normung - German Institute for Standardization) standards are issued for a variety of components including industrial fasteners as metric **DIN 562 thin pattern square nuts**. The DIN standards remain common in Germany, Europe and globally even though the transition to ISO standards is taking place. DIN standards continue to be used for parts which do not have ISO equivalents or for which there is no need for standardization.

### **Product Specification of DIN 562 Square Nut**

Material : Carbon steel, Stainless steel, Alloy Steel, Brass.

Finishment: Black, Zinc Plated, Zinc Yellow, HDG, Phosphate, DACROMET, Geomet, Magin, Ruspert, Teflon, etc.

**DIN 562 - 2013 Square Thin Nuts, Product Grade B**


Screw Thread		M1.6	M2	M2.5	M3	(M3.5)	M4	M5	M6	M8	M10
D											
P	Pitch	0.35	0.4	0.45	0.5	0.6	0.7	0.8	1	1.25	1.5
e	min	4	5	6.3	7	7.6	8.9	10.2	12.7	16.5	20.2
m	max=nominal size	1	1.2	1.6	1.8	2	2.2	2.7	3.2	4	5
	min	0.6	0.8	1.2	1.4	1.6	1.8	2.3	2.72	3.52	4.52
s	max=nominal size	3.2	4	5	5.5	6	7	8	10	13	16
	min	2.9	3.7	4.7	5.2	5.7	6.64	7.64	9.64	12.57	15.57
per 1000 units≈kg		0.08	0.13	0.27	0.35	0.44	0.64	1.06	1.93	4.01	7.6

**Material:**

- a)Steel, hardness class (material): 11H Standard DIN 267-24;
- b)Stainless steel, Steel grade (material): A2 Standard DIN EN ISO 3506-2;
- c)Non-ferrous metal, Property class (material): CuZn=CU2 or CU3 at the choice of the manufacturer. Standard DIN EN 28839