



DIN 6334 Rod Coupling Nut

Leader Fastener is acknowledged as a manufacturer, exporter & suppliers of **DIN 6334 Rod Coupling Nut**

For High Strength Struc. We are specialized in offering the largest selection of coupling nuts inventory offering premium grade DIN 6334 Stainless Steel Coupling Nuts, DIN 6334 Carbon Steel Coupling Nuts, and DIN 6334 Alloy Steel Coupling Nuts as per various national and international standards like ASTM, AISI, ANSI, JSI, ASME and more. We have a complete line of service from having invested in production plants, export department and to having a quality control team and center to meet your requirements. We regard quality

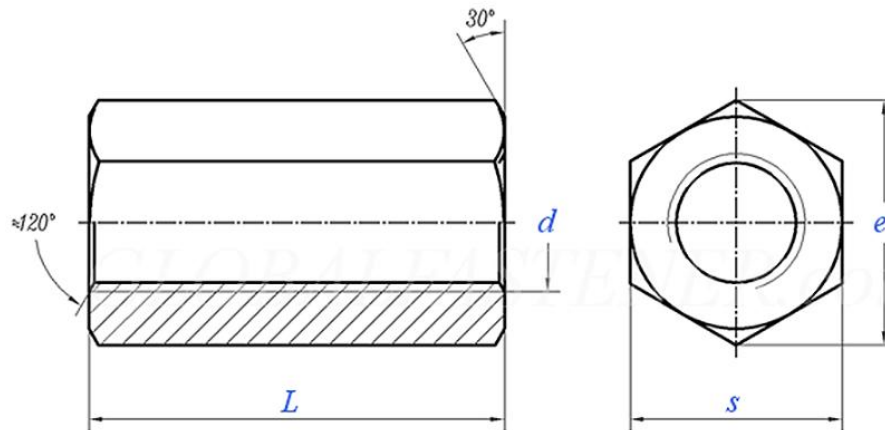
as the life of the company. We persist in good quality as the first policy and have established a set of quality control and inspection system according to the international standard. We have carried out ISO9001 Quality Guarantee System in every course of production, transportation and selling. We do hope we could be your partner in business by topping quality, knight service and competitive price in the near future and be your friends as well.

DIN 6334 Rod Coupling Nut, these coupling nuts are available in steel galvanized, steel zinc, self-color and furthermore. These coupling nuts can be accessible in different sizes, dimensions, and specifications. Coupler nuts are used for joining or extending two male threads, commonly threaded rod. This coupler nut features an exterior hex shape so that it can be easily gripped by a wrench. Also known as a metric standoff nut, extra high coupler nut, connect nut, extension nut, hex connector.

Product Specification of DIN 6334 Rod Coupling Nut

Material : Carbon steel, Stainless steel, Alloy Steel, Brass.

Finishment: Black, Zinc Plated, Zinc Yellow, HDG, Phosphate, DACROMET, Geomet, Magin, Ruspert, Teflon, etc.

DIN 6334 Hexagon coupling nuts 3d


Screw Thread	M6	M8	M10	M12	M14	M16	M18	M20	M22	M24	M27	M30	M33	M36	
D															
P	Pitch	1	1.25	1.5	1.75	2	2	2.5	2.5	2.5	3	3	3.5	3.5	4
s		10	13	17	19	22	24	27	30	32	36	41	46	50	55
L		18	24	30	36	42	48	54	60	66	72	81	90	99	108
e		11.05	14.38	18.9	21.1	24.49	26.75	29.56	33.53	35.03	39.98	45.2	50.85	55.37	60.79
per 1000 units≈kg		7	18	42	63	95.5	122	140	240	300	412	608	825	1100	1470

Material:

a) Austenitic stainless steel, steel grade: A2 and A4; Strength class: ≤M39:50, ≤M20:70,80; standard DIN EN ISO 3506

b) Property Strength class:50, Made From A1, A2; Characteristics: Soft; cold worked, turned and soft pressed fasteners

c) Property Strength class:70, Made From A2, A4; Characteristics: Cold worked, normal strength formed fasteners

d) Property Strength class:80, Made From A2, A4; Characteristics: Extreme cold worked, high strength, special applications