



DIN 6925 Locking Nuts

Leader-Fastener is a manufacturer and distributor of **DIN 6925 Locking Nuts**. We have a complete line of service from having invested in production plants, export department and to having a quality control team and center to meet your requirements. We regard quality as the life of the company. We persist in good quality as the first policy and have established a set of quality control and inspection system according to the international standard. We have carried out ISO9001 Quality Guarantee System in every course of production, transportation and selling. We do hope we could be your partner in business by topping quality, knight service and competitive

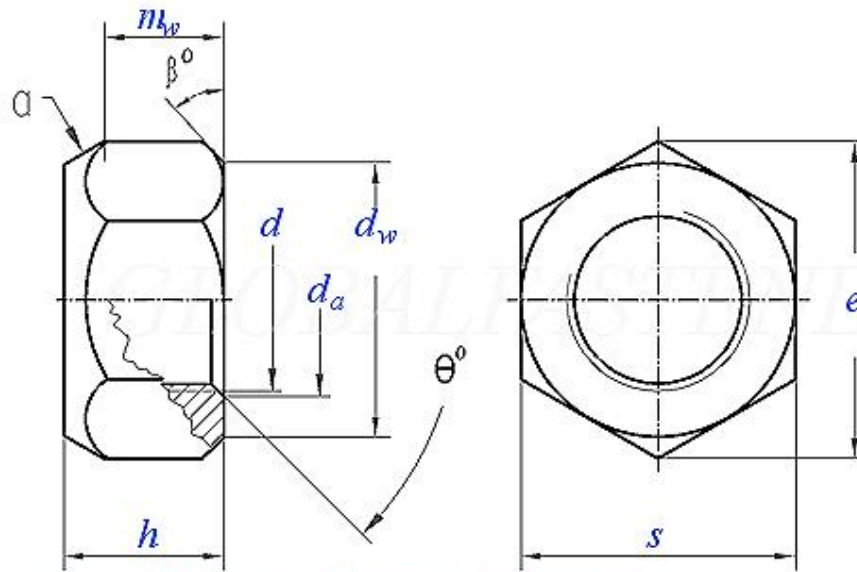
price in the near future and be your friends as well.

DIN 6925 Hexagonal Locking Nuts with clamping part can use for many different project applications such as mechanical, automation, metal construction, aerospace and other sectors. These types of nuts are used on bridges and buildings, in heavy industry, and on oil field machinery and railroad equipment.

Product Specification of DIN 6925 Locking Nuts

Material : Carbon steel, Stainless steel, Alloy Steel, Brass.

Finishment: Black, Zinc Plated, Zinc Yellow, HDG, Phosphate, DACROMET, Geomet, Magin, Ruspert, Teflon, etc.

DIN 6925 - 1987 Prevailing Torque Type All-Metal Hexagon Nuts


a : Prevailing torque element, shape optional.

θ : $90^\circ \sim 120^\circ$

β : $15^\circ \sim 30^\circ$

Thread Size		M3	M4	M5	M6	(M7)	M8	M10	M12	(M14)	M16	M20
D												
P	Coarse thread	0.5	0.7	0.8	1	1	1.25	1.5	1.75	2	2	2.5
	Fine thread	-	-	-	-	-	1	1	1.5	-1.5	1.5	1.5
	Fine thread	-	-	-	-	-	-	-1.25	-1.25	-	-	-
d _a	min	3	4	5	6	7	8	10	12	14	16	20
	max	3.45	4.6	5.75	6.75	7.75	8.75	10.8	13	15.1	17.3	21
d _w	min	4.6	5.9	6.9	8.9	9.6	11.6	14.6	16.6	19.6	22.5	27
e	min	6.01	7.66	8.79	11.05	12.12	14.38	17.77	20.03	23.35	26.75	32
h	max	3.7	4.2	5.1	6	7	8	10	12	14	16	20
	min	3.4	3.9	4.8	5.7	6.5	7.5	9	11	12	14	18
m _w	min	1.65	2.2	2.75	3.3	3.85	4.4	5.5	6.6	7.7	8.8	11
s	max=nominal size	5.5	7	8	10	11	13	16	18	21	24	30
	min	5.32	6.78	7.78	9.78	10.73	12.73	15.73	17.73	20.67	23.67	29
per 1000 units≈kg		-	-	1.2	2.4	-	5.1	9.4	14.5	22.3	31	66

Material:

Steel,Property class (material): 5, 6, 8, 10 and 12 (for size up to M16). As specified in ISO 898-2 and DIN 267-23